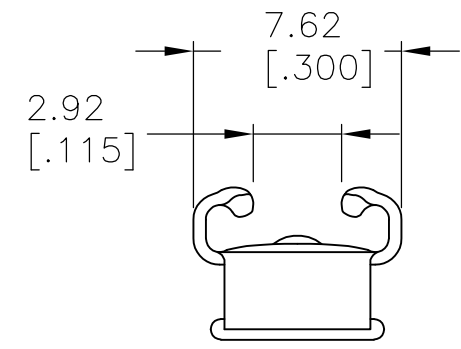
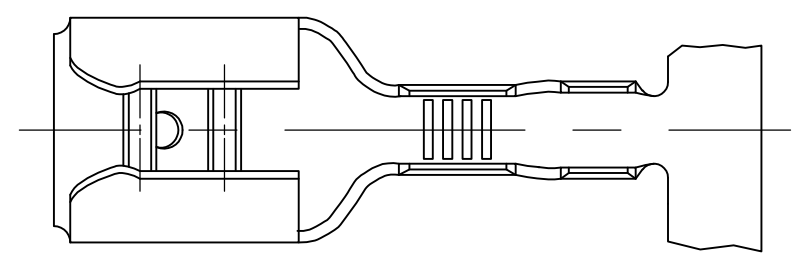


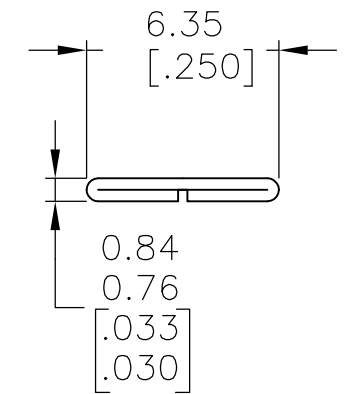
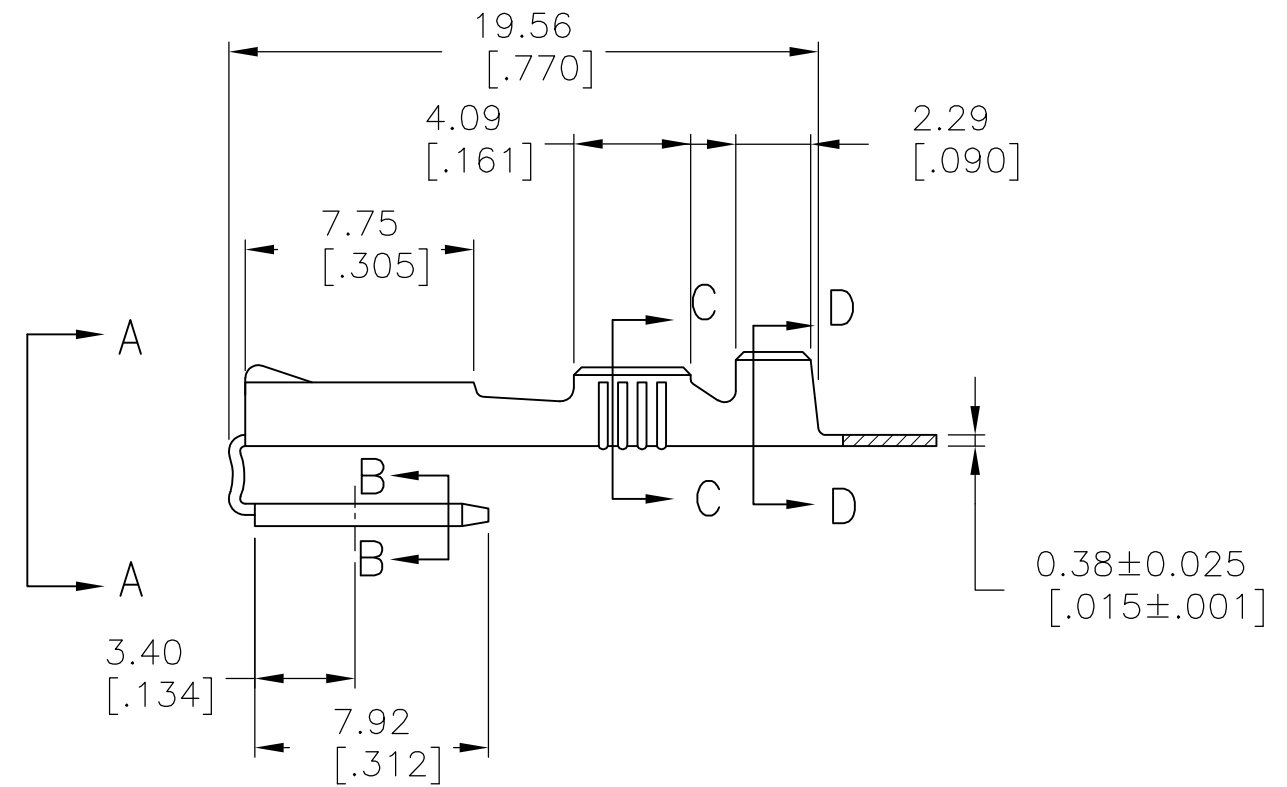
THIS DRAWING IS UNPUBLISHED. RELEASED FOR PUBLICATION  
 © COPYRIGHT BY TYCO ELECTRONICS CORPORATION. ALL RIGHTS RESERVED.

LOC	DIST	REVISIONS					
AF	50	P	LTR	DESCRIPTION	DATE	DWN	APVD
			J2	REVISED PER ECR-07-029580	07DEC07	JR	PD

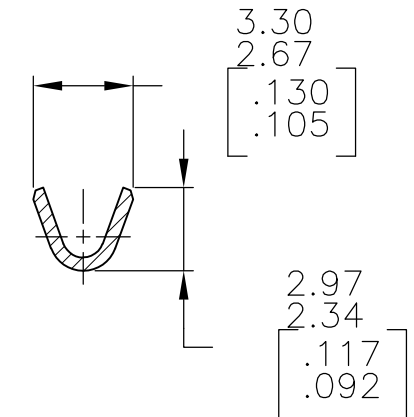


VIEW A-A

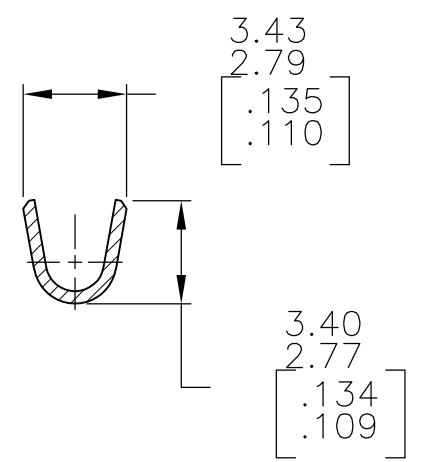
1 - CONTINUOUS STRIP ON REELS.  
 2 - STRESS RELIEVED



SECTION B-B



SECTION C-C



SECTION D-D

2	TIN	1.52-2.54 [.060-.100]	#22-#18 AWG	0.81±0.025 [.032±.001]	61988-3
	TIN				61988-2
	-				61988-1
FINISH	INSUL RANGE	WIRE SIZE	MATING TAB THICKNESS	PART NUMBER	

THIS DRAWING IS A CONTROLLED DOCUMENT.		DWN	JR RUTH	5/14/86	Tyco Electronics Corporation Harrisburg, PA 17105-3608		
DIMENSIONS: mm [INCHES]		CHK	MS FEHER	5/14/86			
TOLERANCES UNLESS OTHERWISE SPECIFIED:		APVD	C NEYERS	5/16/86	NAME		
0 PLC ± - 1 PLC ± - 2 PLC ± - 3 PLC ± 0.38 [.015] 4 PLC ± - ANGLES ± -		PRODUCT SPEC		RECEPTACLE, FASTON, PIGGYBACK, 6.35 [.250] SERIES			
MATERIAL		APPLICATION SPEC		RESTRICTED TO			
H04 BRASS		114-2082		SIZE	CAGE CODE	DRAWING NO	
FINISH		SEE TABLE		A300779		G-61988	
CUSTOMER DRAWING				WEIGHT	SCALE		
				-		4:1	
				SHEET		REV	
				1 OF 1		J2	